

Supports tightening up to **600 N·m!**

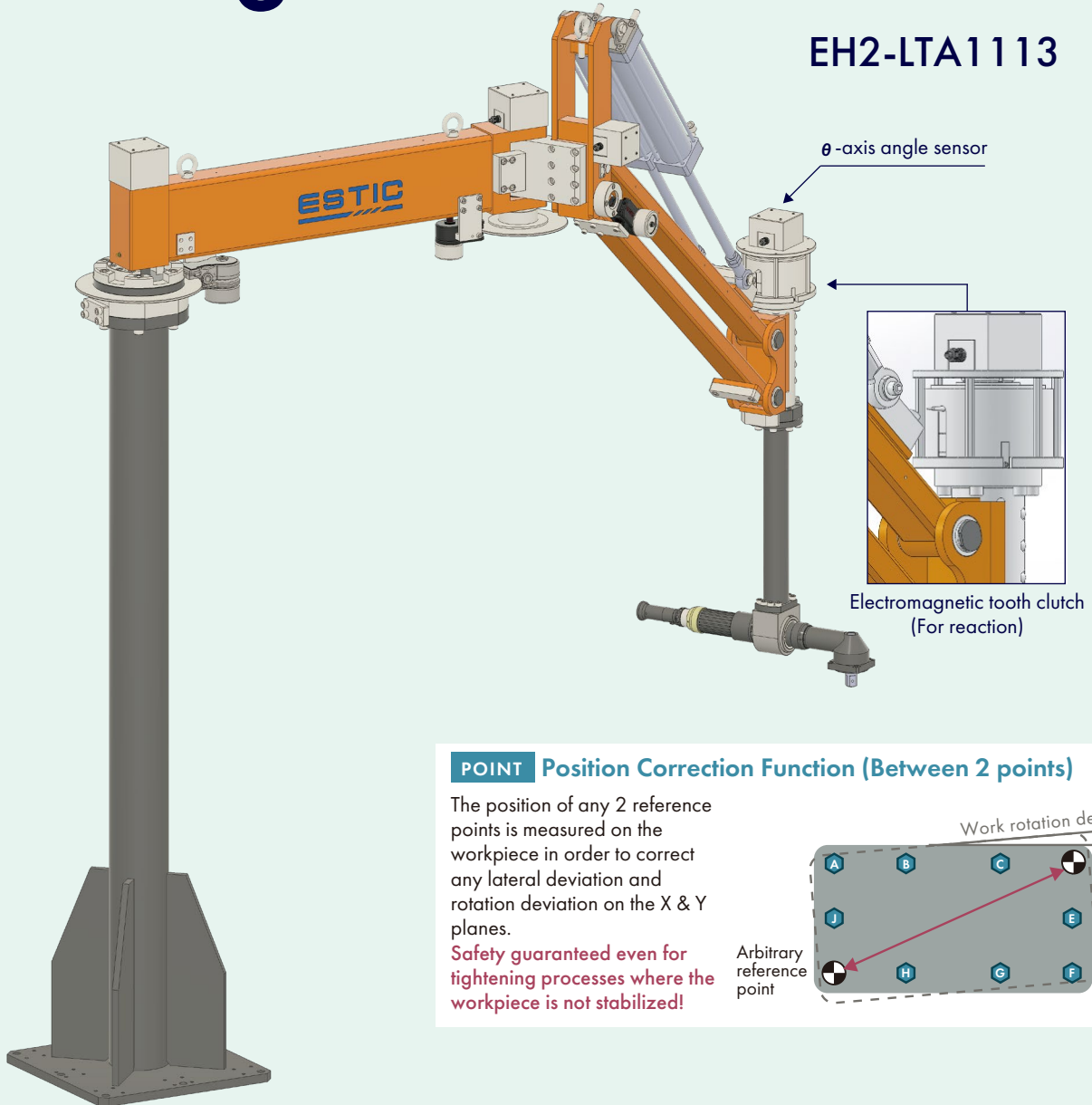
Large Tracer Arm

EH2-LTA1113

Position Detection

Reduced Reaction

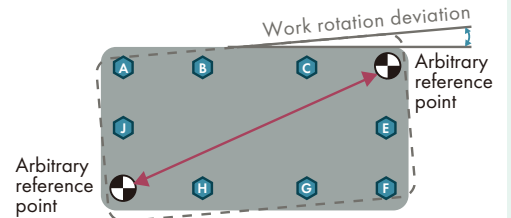
Poka-yoke System



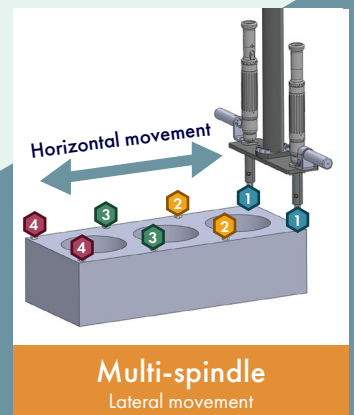
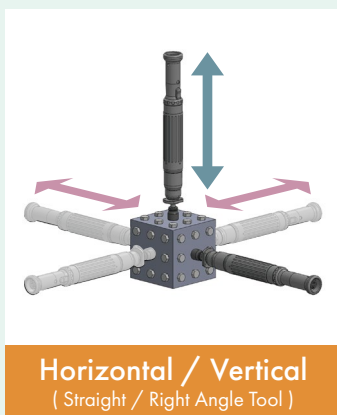
POINT Position Correction Function (Between 2 points)

The position of any 2 reference points is measured on the workpiece in order to correct any lateral deviation and rotation deviation on the X & Y planes.

Safety guaranteed even for tightening processes where the workpiece is not stabilized!



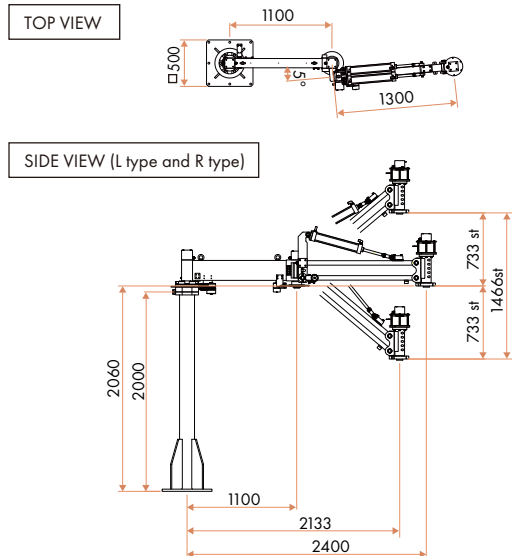
Compatible with various tightening directions!



Specifications

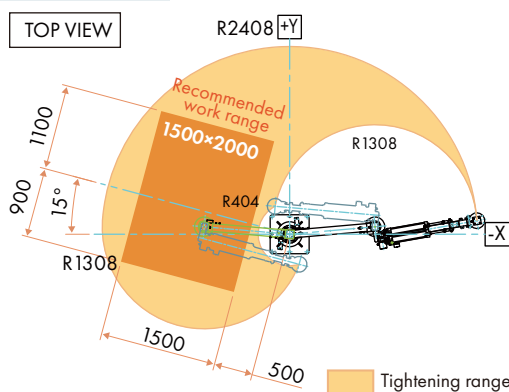
Model	EH2-LTA1113-L / EH2-LTA1113-R
Maximum applicable torque	600 N·m
Arm length	1100 × 1300 mm
Recommended work area	2000 × 1500 × 1000 mm
Arm lift length (st)	1466 mm
Load capacity	30 kg (0.4 Mpa 時)
Air supply	0.4 ~ 0.6 Mpa
Arm body weight	210 kg
Repeat position detection accuracy	±3 mm
Input sensor	Resolver 4 points (x, y, z, θ-axis)
Number of registerable workpieces	99 types (63 positions can be registered per work)
Controllers	Handy 2000 Lite plus EH2-HT45-000*** Handy 2000 Touch EH2-HT50-000***

Dimensions

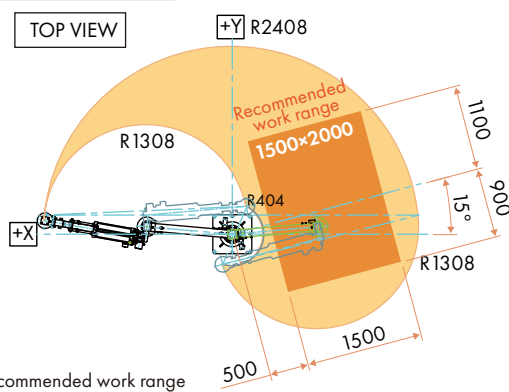


Range of Movement

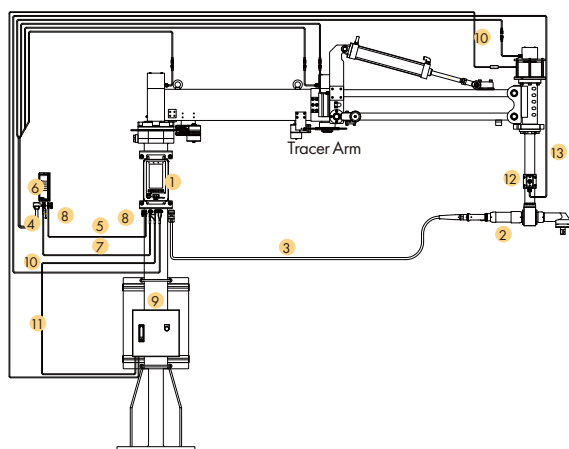
EH2-LTA-1113-R



EH2-LTA-1113-L



Connection System Diagram



Name	Model
1 Handy 2000 Series control unit	EH2-HT45-000*** / EH2-HT50-000***
2 Applicable tool model	EH2-R***.*
3 Tool cable	EH2-CVS**.*SS
4 Resolver cable	Made-to-order product
5 NET cable	EH2-CVNK-***
6 Trace control unit	EH2-TCU2-N
7 TCU power cable	EH2-CVDC-030
8 NET termination resistor	EH2-CNST (2 pieces required)
9 Tooth clutch power BOX	Made-to-order product
10 Tooth clutch power cable	Made-to-order product
11 Control signal cable	Made-to-order product
12 Parking brake switch	Made-to-order product
13 Switch cable	Made-to-order product

ESTIC
Fastening Solutions

ESTIC CORPORATION

1-2-16 Togodori, Moriguchi-city, Osaka, 570-0041 Japan

● CAD data can be downloaded from our website.
<https://www.estic-global.com/member/login>



JP : www.estic.co.jp
EN : www.estic-global.com/
CN : www.cn.estic-global.com

YouTube www.youtube.com/user/EsticCorporation
LinkedIn www.linkedin.com/company/estic-corporation



JQA-2805
SERVO SYSTEM



2108 ERNN 000EN